






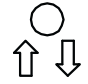
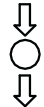


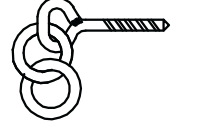
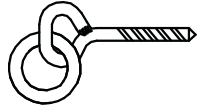
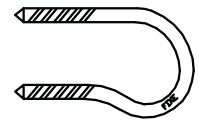
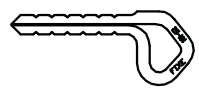





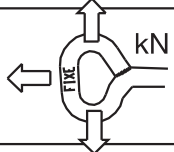



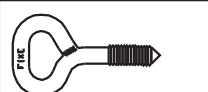
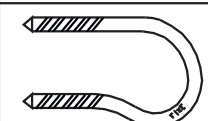
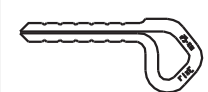
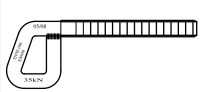


tensores y tensores con anilla · broches et broches avec anneau · glue-in bolts and glue-in bolts with ring

USO – USAGE – USE											
REF	REF	ANCLAJES AMARRAGES ANCHORS									
	014A 541 326 014AM		ok	ok	ok	ok	ok	114	ok x2	ok x2	ok x2
014C 014CM			ok	!	!	!	ok	114	ok x2	ok x2	ok x2
	403		ok	ok	ok	ok	ok	286	ok x2	ok x2	ok x2
	344		ok	ok	ok	ok	ok	198	ok x2	ok x2	ok x2
	014B 014BM		ok	ok	ok	ok	ok	172	ok x2	ok x2	ok x2
	014D		ok	ok	ok	ok	ok	102	ok x2	ok x2	ok x2
	727		ok	ok	ok	ok	ok	160	ok x2	ok x2	ok x2


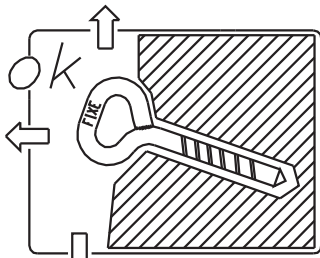
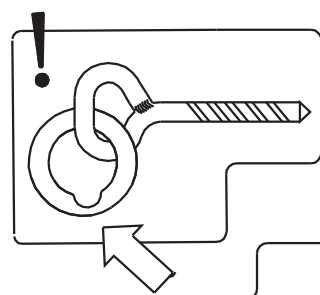


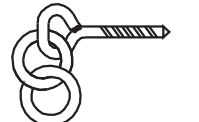
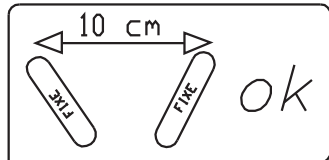
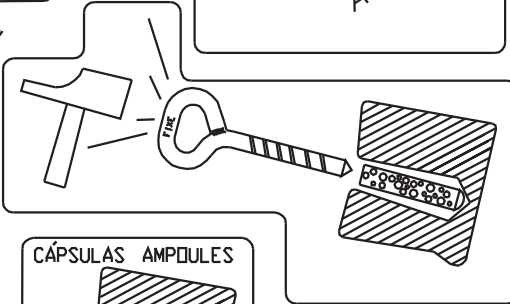
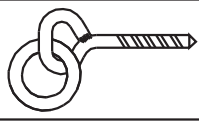
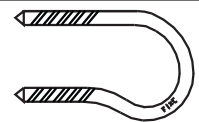
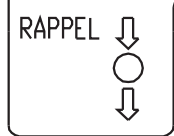
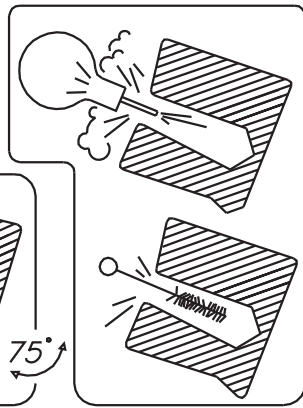
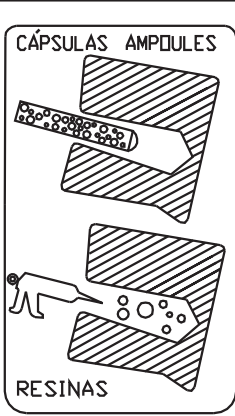
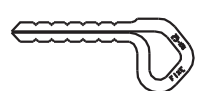
tensores y tensores con anilla · broches et broches avec anneau · glue-in bolts and glue-in bolts with ring

USO – USAGE – USE

REF	REF	ANCLAJES AMARRAGES ANCHORS	MEDIDA SIZE MEASURE		MM				M		CONFORMITY
014C 014CM	014A 014AM		D10x80mm	12	90	✓	✓	✓		35 kN	EN959
	541		D10x150mm	12	160	✓	✓	✓		35 kN	EN959
	326		D12x80mm	14	90	✓	✓	✓	M12	35 kN	EN795 EN959
	419		D12x45mm	14		NO	NO	NO	M12	35 kN	EN795
	014B 014BM		D10x75mm x2	12	80	✓	✓	✓		35 kN	EN959
	014D		D13x85mm	14	95	✓	✓	✓		25 kN	EN959
	727		D12x100mm	14	110	✓	✓	✓	M12	35 kN	EN795 EN959

tensores y tensores con anillo · broches et broches avec anneau · glue-in bolts and glue-in bolts with ring

USO - USAGE - USE

REF	REF	ANCLAJES AMARRAGES ANCHORS				
	014A 541 326 014AM					
014C 014CM						
	403					
	344					
	014B 014BM					
	014D					
	727	